

Oxford® /Hoyer®

Oxford®/Hoyer® Elevate User Instruction Manual & Warranty

To avoid injury, read user manual prior to use.

Oxford®/Hoyer® Elevate Manuel de l'utilisateur et garantie

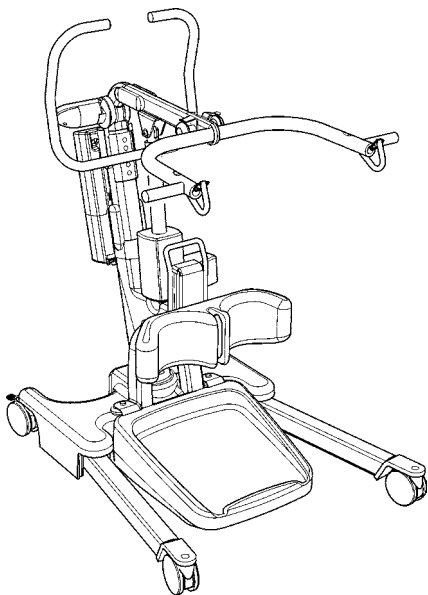
Afin d'éviter tout accident, veuillez lire attentivement la notice avant utilisation.

Oxford®/Hoyer® Elevate Manual de Instrucciones y Garantía para el Usuario

Para evitar posibles daños, lea previamente el manual de usuario.

Oxford®/Hoyer® Elevate Benutzerhandbuch und Garantie

Um Verletzungen zu vermeiden, lesen Sie bitte die Gebrauchsanweisung vor der ersten Benutzung.



 Joerns
Healthcare

Redefining patient handling

Manufacturer's Contact Details

Oxford®

EUROPE

Joerns Healthcare Ltd

High Street, Wollaston, Stourbridge,
West Midlands DY8 4PS

ENGLAND

+44 (0)1384 44 66 22

Fax: +44 (0)1384 44 66 01

www.joerns.co.uk

Hoyer®

USA

Joerns Healthcare Inc

5001 Joerns Drive, Stevens Point
Wisconsin 54481-5040

715-341-3600

800-826-0270

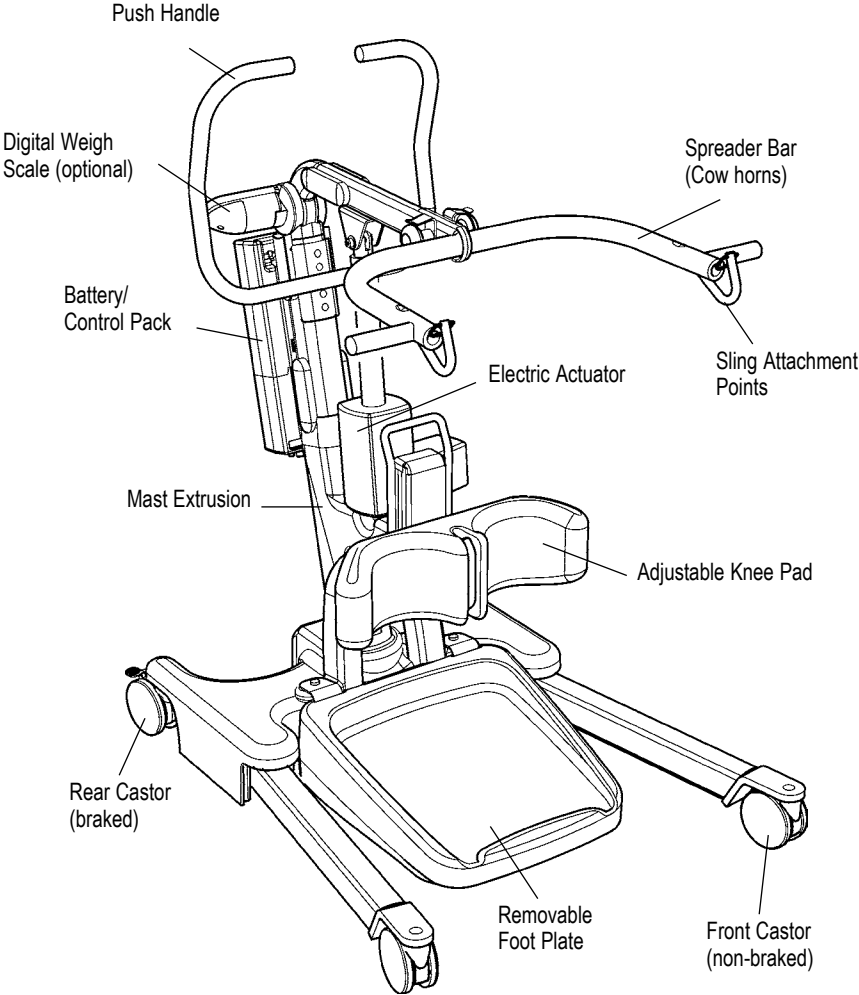
Fax: 800-457-8827

www.joerns.com

Contents

1. Oxford/Hoyer Elevate Patient Lift	3
2. Introduction: About Your Lift	4
3. Assembly and Commissioning Instructions	5
4. Sling Guide	9
5. Lifting with the Oxford/Hoyer Elevate	11
6. Safety Precautions	12
7. Operating instructions	13
8. Charging instructions	16
9. Digital Weigh Scale	18
10. Maintenance schedule & Daily check list	22
11. Technical Specifications	23
12. Warranty	26

1. The Oxford/Hoyer Elevate Patient Lift



2. Introduction: About Your Lift

The Oxford/Hoyer Elevate is an electrically operated patient lift. Each Elevate lift is fully assembled, load tested and certified before being packed/shipped.

The packing consists of a strong, purpose built carton that is used for both export and domestic markets to ensure the safe arrival of the lift.

A number of documents are supplied in a wallet, and packed with each lift and should be kept safely for future reference.

- USER MANUAL
- DEALER GUARANTEE CARD (Europe only)
- CUSTOMER SATISFACTION CARD (Europe only)
- PACKING CHECK LIST

The TEST CERTIFICATE is an important document and will be required for your insurance records. It is valid for six months and after it has expired the lift should be inspected and serviced per the maintenance schedule.

Servicing and periodic testing can be carried out by your authorised supplier. Please ensure your lift is included in their maintenance schedule. If you are at all unsure what your local market servicing requirements are, please check with your dealer and/or a local government agency.

The Oxford/Hoyer Elevate is suitable for the following CATEGORIES of lift within the working parameters of the lifts specified in the TECHNICAL SPECIFICATIONS.

- Category A - Wheelchair
- Category D - Toilet/Shower Chair



3. Assembly and Commissioning Instructions

CARTON CONTENTS

Place the carton in a clear working area and open carefully. The carton contains:

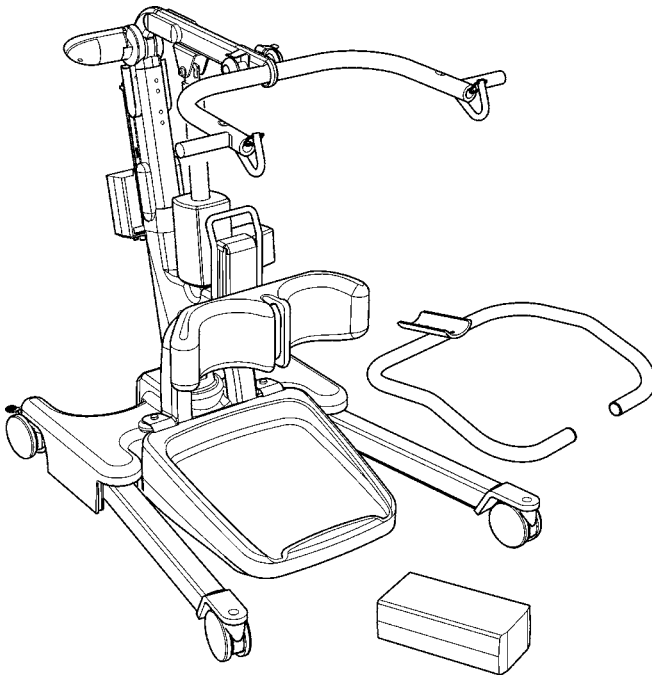
- OXFORD/HOYER ELEVATE LIFT
- WALLET CONTAINING DOCUMENTS
- HAND CONTROL
- BATTERY PACK
- CHARGING LEAD
- DESK TOP CHARGER/STAND

WARNING

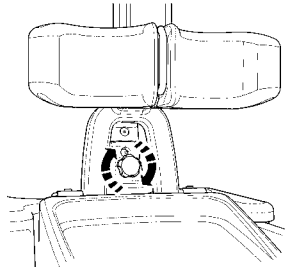
The Oxford/Hoyer Elevate is heavy and will need to be lifted with care. You may need assistance to lift the Oxford/Hoyer Elevate from the carton.

ASSEMBLY

Remove the Elevate from the carton and place on the floor.

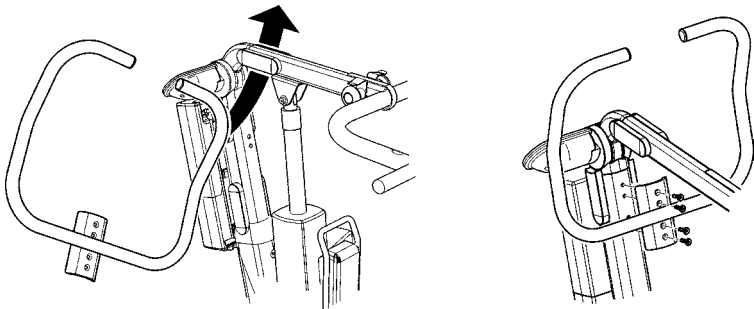


1. Tighten the mast assembly with the mast-locking device, which is located at the front of the chassis.

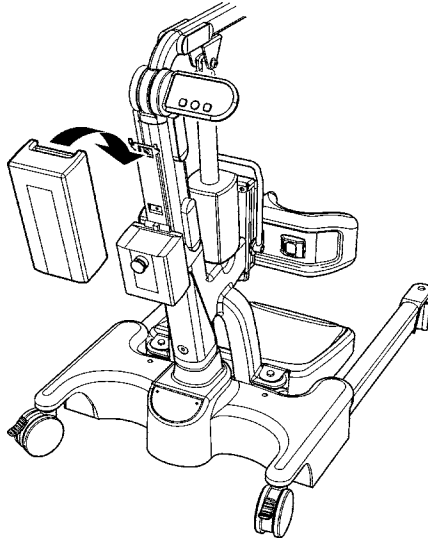


2. Turn the locking knob until hand tight.
3. Line the handle assembly up to the mast, and attach using the fasteners provided (these can be found in the mast). The wrench needed to attach the handle is kept in the user instruction wallet for safe keeping.

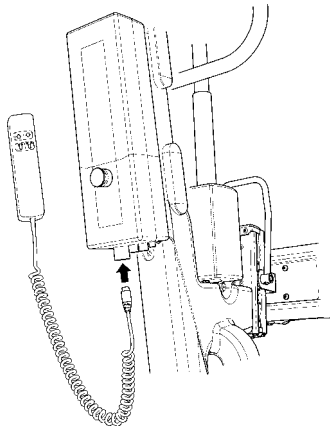
CAUTION: Ensure that the handle is secure and in place prior to using lift.



4. Fit power pack to the lift and make sure the latch holding the pack in place is fully engaged. "Click" in place.



5. Fit the hand control to the lift as shown. Once complete, check the hand control is functioning correctly by referring to page 8.

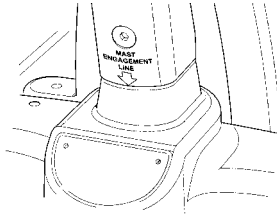


DISASSEMBLY:

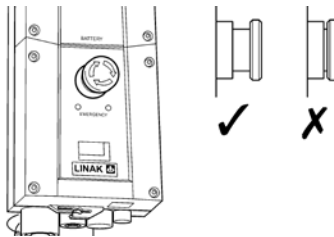
The lift should not be disassembled unless for service, repair or transport if necessary. Therefore follow the assembly instructions in reverse sequence.

ALWAYS CHECK THE FOLLOWING BEFORE OPERATION

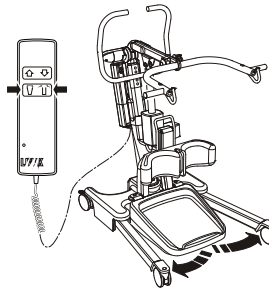
- The mast is fully locked into position.



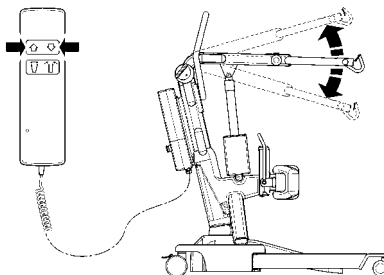
- The red emergency stop button, located on the rear of the control box, is in the OFF (out) position.



- The legs of the lift open and close satisfactorily (This is done via the hand control).



- Push the up and down buttons on the hand control and confirm the boom rises and lowers.



4. Sling Guide

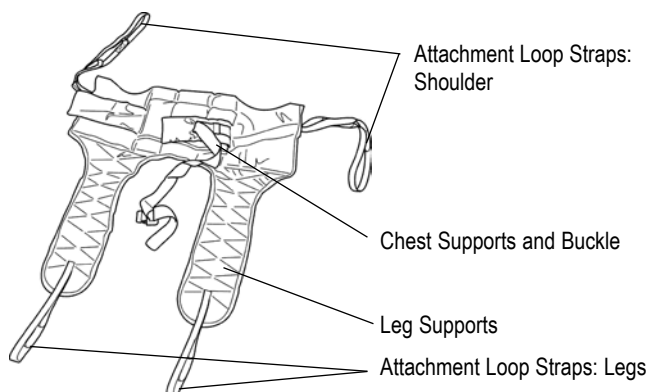
The Oxford/Hoyer Elevate is suitable for patients in the SITTING position. The slings suitable for this device are listed as follows:

- * Oxford/Hoyer Transport sling
- * Oxford/Hoyer Standing sling

USER GUIDE FOR STANDAID SLINGS

The Transport and Standing sling is an easy fit sling, suitable for standing and supporting. It is not a general purpose sling and patients must be assessed for suitability by a qualified person.

Transport Sling



Feed the sling down the back of the patient leaving the top of the commode aperture at the base of the spine. Check the roll part of the sling is square across the patient's back.

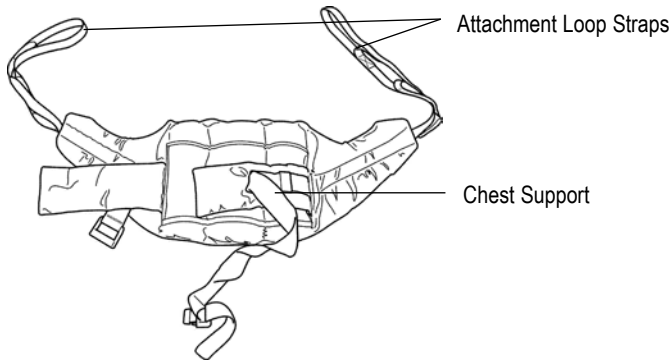
Attach the support strap around the chest of the patient. This strap need not be tight. It is there to hold the sling in position whilst attaching the loops to the Standaid. It may be left off altogether if preferred. Ensure patient's arms are on the outside of the sling.

Raise the patient's leg and feed the leg strap under and up between the legs. Ensure the sling is not twisted or creased under the thigh. Repeat this procedure for the other leg. Attach the loops on the roll parts of the sling to the white hooks at the end of the hand grips.

Without crossing the loops on the leg straps, attach to left and right black knobs on the lifting fork. You would normally use the middle of the three loops. The patient is now ready to be raised from the seat. Once clear of the seat, the patient will be more comfortable if lowered back in to the sitting position.

NOTE: Joerns Healthcare recommends slings are checked regularly and before use for fraying or damage. **Do not use slings that are worn or damaged.**

Standing Sling



Place the sling down behind patient's back between base of shoulder blades and bottom of rib cage. Attach the support straps around the front of the patient. This strap need not be tight. It is there to hold the sling in position whilst attaching the sling to the Standaid. It may be left off altogether if preferred. Ensure that the patient's arms are outside the sling.

⚠ WARNING!

Oxford/Hoyer slings and lifters are not interchangeable with other manufactures products. Using other manufacturers products on Oxford/Hoyer products is unsafe and may result in serious injury to patient / or caregiver.

⚠ WARNING!

Joerns Healthcare recommends slings are checked regularly and before use for fraying or damage. DO NOT use slings that are worn or damaged.



5. Lifting with the Oxford/Hoyer Elevate

Position the Elevate so that the patient's feet fit in the foot tray and knees rest against the knee pad. Attach the loops of the sling to the hooks at the end of the Elevate hand grips. The patient's hands should be placed on the handgrips (see Fig. A or C). Then push the UP button on the hand control to raise the patient to the standing position (see Fig. B or D).

STANDING SLING:

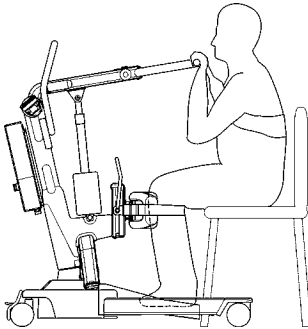


Fig. A

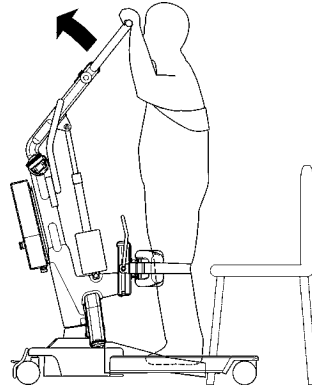


Fig. B

TRANSPORT SLING:

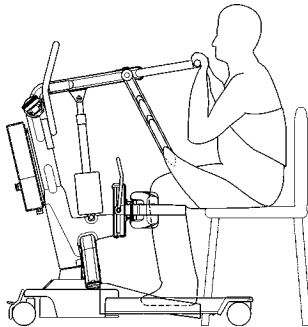


Fig. C

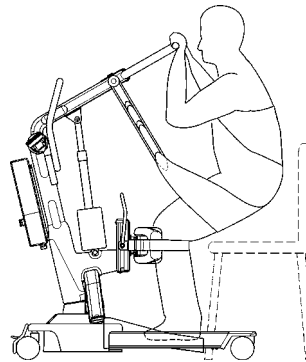


Fig. D

⚠ WARNING!

Always utilise the foot tray when standing or seating a patient. Once the patient is in a standing position, the foot tray may be removed for gait training.

6. Safety Precautions

Please read and follow the safety precautions listed below. The operation and use of Oxford/Hoyer patient lifts is simple and straightforward. Following these few basic safety precautions will make lifting operations easy and trouble free.

READ AND UNDERSTAND THE USER INSTRUCTION MANUAL BEFORE USING YOUR “ELEVATE”

⚠ WARNING!

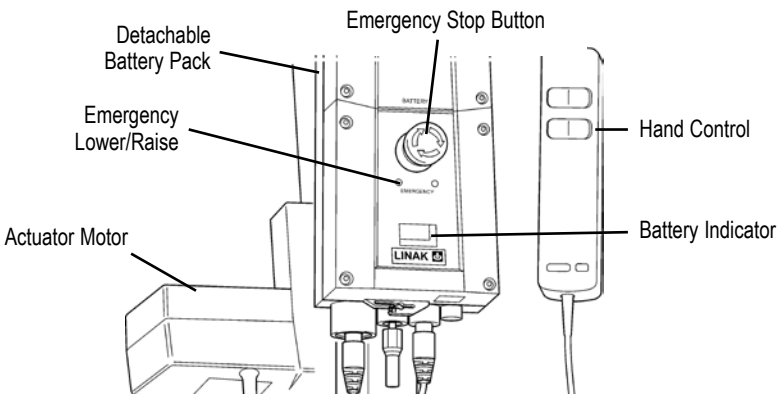
- **ALWAYS** plan your lifting operations before commencing.
- **ALWAYS** carry out the DAILY CHECK LIST before using the lift.
- **ALWAYS** familiarise yourself with the operating control and safety features of a lift before lifting a patient.
- **DONOT** use a sling unless it is recommended for use with the lift.
- **ALWAYS** check the sling is suitable for the particular patient and is of the correct size and capacity.
- **NEVER** use a sling which is frayed or damaged.
- **ALWAYS** fit the sling according to the instructions provided (user instructions).
- **DONOT** exceed the safe working load.
- **ALWAYS** check the safe working load of the lift is suitable for the weight of the patient.
- **ALWAYS** carry out lifting operations according to the instructions in the user manual.
- **ALWAYS** utilise the foot tray when standing or sitting a patient.
- **NEVER** disconnect or bypass a control or safety feature because it seems easier to operate the lift.
- **DONOT** lift a patient with the castor brakes on. Always let the lift find the correct centre of gravity.
- **DONOT** attempt to manoeuvre the lift by pushing on the mast, boom or patient.
- **ALWAYS** manoeuvre the lift with the handle / foot push pad provided.
- **ALWAYS** lower the patient to the lowest comfortable position before transfers.
- **DONOT** push a loaded lift at speeds which exceed a slow walking pace (3 Km/hour 0.8 metres/second).



- **DONOT** push the lift over uneven or rough ground. Particularly if loaded.
- **DONOT** attempt to push/pull a loaded lift over a floor obstruction.
- **NEVER** force an operating/safety control. All controls are easy to use and do not require excessive force.
- **DO NOT** park a loaded lift on ANY sloping surface.
- **DONOT** use electric lifts in a shower.
- **DONOT** charge an electric lift in a bathroom or shower room.
- **DONOT** lift a patient unless you are trained and competent to do so.
- YOUR lift is for patient lifting. **DO NOT** use it, or allow it to be used, for any other purpose.
- **DONOT** bump the lift down steps, loaded or unloaded.
- **DONOT** attempt to negotiate a loaded lift on a slope which exceeds 1:12 (approximately 5 degrees).
- **DONOT** attempt to negotiate a slope without a second helper being present.
- **DONOT** use in a wet or corrosive environment such as poolside locations.

7. Operating Instructions

OPERATING CONTROLS



1. Leg adjustment

The legs on the Oxford/Hoyer Elevate are electrically adjustable for width. The legs can be opened to enable access around armchairs or wheelchairs. For transferring and negotiating narrow doorways and passages the lift legs should be in the closed position.

Electric leg adjustment - is achieved by pressing the appropriate buttons on the handcontrol. The legs will be locked whenever the handcontrol switch is released.

2. Castors and Braking

The lift has two braked castors which can be applied for parking. When lifting, the castors should be left free and un-braked. The lift will then be able to move to the centre of gravity of the lift. If the brakes are applied it is the patient that will swing to the centre of gravity and this may prove disconcerting and uncomfortable.

3. Raising and lowering the boom

The movement of the boom is achieved by a powerful electric actuator, which is controlled by a simple handcontrol unit. The handcontrol has two buttons with directional arrows UP and DOWN ↑↓. The actuator stops automatically at the limit of travel in both directions. The handcontrol plugs into a socket at the base of the control box.

4. Emergency Stop

The red Emergency Stop Button is located on the front of the control box and is activated by pressing in. This will cut all power to the lift and only be reset by twisting the button anti-clockwise and releasing.

5. Electrical Emergency Down/Up

Emergency lower (down) and raise (up) buttons are provided at the front of the control box. This is operated by inserting a ballpoint pen into the button highlighted ↑↓. This will bring the boom up or down should the handcontrol fail at any time.

NOTE: This is an emergency device and not intended for repetitive use.

6. Mechanical Emergency Down

In the case of a complete electrical failure the electrical actuator is fitted with mechanical lowering device (RED BOSS). This will only operate when the lift is under load. The device must be pulled upwards to activate, and a slow decent will commence.

NOTE: This is an emergency device and not intended for repetitive use.

7. Batteries

The batteries are protected from deep discharge by a LOW VOLTAGE ALARM. This will sound when the batteries need recharging and the handcontrol is being operated. It will not sound independently of the handcontrol being operated. **DO NOT IGNORE THIS WARNING ALARM.** Complete the lifting operation and place the battery on charge (see charging instructions).

WARNING!

Battery or charger is not to be opened by unauthorized personnel. (Contact your distributor for warranty and repairs).

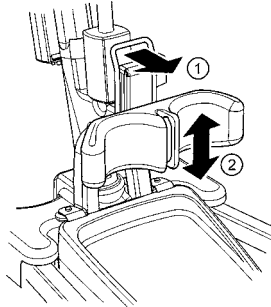


8. Slings

The Oxford/Hoyer Elevate is suitable for patients in the SITTING position. The slings suitable for this device are the Oxford/Hoyer Standing sling and Transport sling as detailed in section 4 (Sling Guide).

9. Knee pad adjustment

The Elevate has an adjustable kneepad. It is recommended for safety reasons that adjustment is carried out by holding the top of the adjustment handle. The range of travel is approx 7 inches. Adjustment is achieved by following two easy steps. STEP 1 pull handle towards you, STEP 2 either push handle downwards or pull handle upwards to select the kneepad position. Once the ideal position is found release handle and the kneepad will automatically lock into position.



10. Removable footplate

The Elevate has a removable footplate. To remove the footplate, move to the front of the product, and lift the footplate upwards from the middle of the assembly (see Fig. E). Additionally you can also remove the footplate cover to aid in cleaning and disinfecting of the footplate area. This is achieved by removing the footplate and unclipping the cover from the back of the footplate (see Fig. F).

NOTE: Be careful when lifting the footplate from its low-seated position.

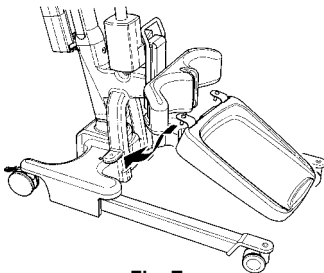


Fig. E

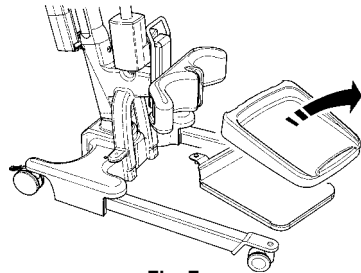


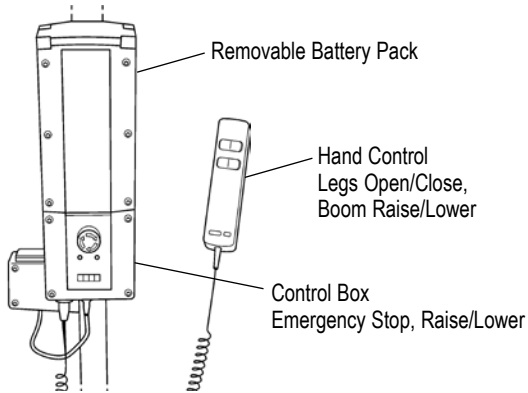
Fig. F

⚠ WARNING!

Always utilise the foot tray when standing or seating a patient. Once the patient is in a standing position, the foot tray may be removed for gait training.

8. Charging Instructions

The batteries are located in the battery pack and are charged via an off board desktop charger unit.



When the battery pack needs charging it is removed from the lift and fitted to an off board charging unit.

1. Remove the power pack from the lift. The pack is retained by a simple latch at the top of the power pack. Lift the latch and the power pack will be released.
2. Fit the power pack to the charging unit. The location and latching of the power pack to the charger is the same system as used on the lift.
3. Plug the charger mains plug into a suitable mains outlet and switch the mains supply ON.
4. Charging is automatic and will fully charge the batteries over a period of eight to twelve hours. Note: Even if the charger is left plugged in for extended periods it will not allow the batteries to overcharge.
5. To return the lift to service, disconnect power supply remove the power pack from the charger. Fit the power pack to the lift and make sure the latch holding the pack in place is fully engaged. "Click" in place. The charging of Oxford/Hoyer electric lifts is simple and straightforward, but it is important to follow the charging instructions closely. Please pay particular attention to the following warnings, they will help you avoid problems with discharged batteries.

⚠ WARNING

Battery or charger is not to be opened by unauthorized personnel. (Contact your distributor for warranty and repairs).

⚠ WARNING

DO NOT touch battery/charger terminals.

⚠ WARNING

KEEP the batteries fully charged. Place the battery on charge whenever it is not in use. If it is more convenient to do so, place on charge every night. The charger will not allow the batteries to overcharge.

⚠ WARNING

NEVER run the batteries completely flat. As soon as the audible warning sounds, complete the lifting operation in hand and place on charge.

⚠ WARNING

NEVER store the power pack for long periods without regular charging throughout the storage period.

⚠ WARNING

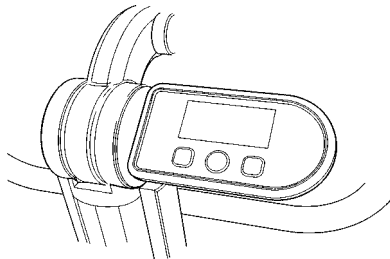
Do not charge an electric lift in a bathroom or shower room.

⚠ WARNING

DO NOT leave charger switched on with battery disconnected.

9. Digital Weigh Scale (Optional)

The Oxford/Hoyer Elevate as the option of an integrated digital weigh scale.



ABOUT YOUR SCALE:

The Oxford/Hoyer Digital Scale is a technologically advanced, microprocessor controlled, digital weighing device. It features a large, easy to read, Liquid Crystal Display (LCD) that shows the patient's weight.

The controls are simple and straightforward to use. The Oxford/Hoyer Digital Scale is powered by a 9-volt disposable battery, which will provide approx. 3000 weighing operations before replacement will be necessary.

The Oxford/Hoyer Digital Scale is suitable for the following CATEGORIES of lift:

Category A - Wheelchair

Category D - Toilet/Shower Chair

The Oxford/Hoyer Digital Scale is suitable for patients in the SITTING position.

The CE mark (Europe Only):

The Oxford Digital Scale carries the CE mark and complies with the following EC Directives:

- Medical Device Directive (93/42/EEC)
- EMC Directive (89/336/EEC)
- Low Voltage Directive (73/23/EEC)
- NAWI Directive (90/384/EEC)

OPERATING INSTRUCTIONS:

The Oxford/Hoyer scale has been designed and certified to weigh up to **200kg or 440lbs in 0.2 increments.**

NOTE: For customers or users in North America, your scale will measure in either Lbs or Kgs. For all other countries outside NA, your scale will weigh in Kgs.

To weigh a patient follow the instructions below:

1. Assemble the sling to the cow horn and press the ON/ZERO pad. The display will show 0.0 and the word HOLD will appear in the lower left hand corner. This step prepares the scale for weighing. The sling can now be removed from the cow horn or cradle and placed around the patient.
2. Place the sling around the patient ensuring the patient's feet are in the foot tray. Attach the sling to cow horns and raise the patient so that they are in the standing position. They must not be touching anything such as a chair or bed since this will cause an error in weighing.
3. The scale has been designed to turn itself off after 60 seconds to conserve battery life. To restart the scale, push the ON/ZERO pad (once only). The display will show the start up screen and then show the patient's weight. When the HOLD sign appears, the weight can be recorded.

 WARNING

To restart the scale, be sure to push the ON/ZERO. If the scale starts and the pad is pushed again, the scale may go to zero (0.0) and the patient's weight may be lost. This may require the reweighing of the patient.

4. The RECALL feature is designed to retain in the memory the last stable weight over 10 kg/22lbs. To access this weight, the scale must be on. Press the RECALL pad. The display will flash between "RECL" and the retained weight.

MAINTENANCE:

It is recommended that twice yearly inspections of the connections on the scale be scheduled and performed to assure trouble free operation. Look for wear or any irregularities that may contribute to scale failure.

If any wear or irregularity is seen **DO NOT USE THE LIFT** and call a competent engineer to access the assembly.

TECHNICAL SPECIFICATIONS:

- **Electronics.** Microprocessor controlled.
- **Power.** 9-volt alkaline battery PP3.
- **Battery life.** Exceeds 70 hours continuous operation.
- **Display.** LCD (liquid crystal display) 63 X 18 mm Characters 15 mm high.
- **Weighing units.** Kilograms (kgs) or (Lbs and kgs North America only)
- **Load cell.** Rated at 300 kgs/660 lbs.

 WARNING

Do not exceed the safe working load of the lift.

A 9-volt battery powers the Oxford/Hoyer Electronic Digital Scale. A new battery should provide approximately 3000 readings before needing replacement. When it needs to be replaced, a "B" will appear on the display.

To Replace Battery:

1. Push black pad on bottom of unit to left.
2. Battery holder will slide out.
3. Remove old battery and replace with a new one.
4. Push holder back into scale.

OPERATION FEATURES:

- All functions are accessible to the user without opening the case.
- Starting or zeroing the scale is done through a single touchpad located on the front of the case.
- Stable readings are achieved through digital averaging. The HOLD message is activated when weight fluctuations decrease to a predetermined range. The scale becomes active again when that range is exceeded. The held weight is stored in a non-volatile memory for later recall if required.
- Display turns off after 60 seconds of inactivity to conserve battery life.
- Recall of the last held weight is available via a touchpad on the front of the case. This allows a reading of the last patient's weight, after the patient has been removed from the scale.
- Battery change is made easy with external access to the battery holder.

MAINTENANCE, INSPECTION AND TEST:

Joerns Healthcare recommends that a thorough inspection and test of all Oxford/Hoyer lifts and lifting accessories, slings etc. is carried out every six months. Joerns Healthcare recommends maintenance, inspection and certified testing, is only carried out by competent and authorized service dealers.

Note: These recommendations are in compliance with the requirements of 1998 No2307 Health and Safety: The Lifting Operations and Lifting Equipment Regulations 1998. This is a UK regulation.

Outside the UK please check your local requirements.

Important Note (Europe Requirement Only)

The Oxford/Hoyer Weigh scale is a class 3 compliant weighing device and conforms to the NAWI Directive 90/384/EEC and has been certified by the National Weights and Measures Laboratory.

NOTE: Scale is calibrated prior to shipment.

This certifies the scale for twelve months. Joerns Healthcare's advice is that you contact your local trading standards / or government authority for your nearest authorised body who can advise upon recalibration.

***THESE CHECKS SHOULD INCLUDE:**

	Initially	Before Use	Service Intervals
1. BOOM: Check the attachment of the boom to the mast. Make sure there is only minimal side movement of the boom and the boom is free to rotate on the boom bearing.	✓	✓	✓
2. MAST: Check the operation of the mast-locking device. Make sure the mast fully engages into the socket. Check the bottom actuator.	✓	✓	✓
3. ACTUATOR The actuator should require no maintenance other than checking for correct operation and listening for unusual noise.			✓
4. POWER PACK: Check the function of the emergency stop button and emergency lower.	✓	✓	✓
5. BATTERIES The batteries are housed in the power pack and should not require maintenance other than the regular charging as detailed in the charging instructions. Check that the connections remain clean.			✓
6. LEG ADJUSTMENT: Check the legs operate in both full extensions (inward/outward).	✓	✓	✓
7. CASTORS: Check all castors for firm attachment to the legs. Check for free rotation of the castor and the wheels.	✓	✓	✓
8. CLEANING: Clean with ordinary soap and water and/or any hard surface disinfectant. Harsh chemical cleaners or abrasives should be avoided as these may damage the surface finish of the lift. Avoid wetting any of the electrical parts.		✓	✓
9. LOAD TEST: The load test should be carried out in accordance with the manufacturer's test procedures. It is strongly recommended the testing is carried out by an authorised service dealer.			✓
10. BASE AND WHEELS: Ensure base is even and level (all four wheels are on the floor).	✓	✓	✓
11. SLINGS: Check for wear and fraying.		✓	✓
12. LUBRICATION: Lubricate pivot joints, including mast and boom connections, pedal assembly, spreader bar joint (only if required). (you can use silicone grease/spray).			✓
13. HAND SET: Ensure plugged fully into controller.	✓	✓	✓

10. Maintenance Schedule & Daily Check List

All Oxford/Hoyer products are designed for minimum maintenance, however some safety checks and procedures are required. A schedule of DAILY tasks are detailed below. Daily checks and a six monthly service, inspection and test will ensure a lift is kept in optimum safe working condition. A list of spare parts is available upon request.

The **LOAD TEST** and certification should only be carried out by qualified personnel or an authorised service agent / dealer.

DAILY CHECK LIST: Joerns Healthcare strongly recommends the following checks be carried out on a daily basis and before using lift.

- MAKE sure the lift moves freely and all 4 castors touch the floor.
- EXAMINE the spreader bar (cow horns) is firmly attached to the boom.
- EXAMINE the sling hooks and attachment clips on the cow horn and boom for excessive wear.
- MAKE sure the legs open and close correctly.
- OPERATE the hand control to confirm the boom raises and lowers satisfactorily.
- CHECK the operation of the emergency stop button.
- EXAMINE slings for fraying or other damage. **DO NOT** use any sling if damaged
- CONFIRM the lift is not giving a low battery alarm when the hand control is operated. If the alarm sounds, **DO NOT** use and place on charge immediately.

MAINTENANCE, INSPECTION AND TEST

Joerns Healthcare recommend a thorough inspection and test of the Oxford/Hoyer Elevate lift and lifting accessories, slings, scales etc is carried out on a regular basis. Inspection frequency varies from country to country so you must check with your dealer or local government agency as appropriate regarding how often an inspection is required. The examination and test should be conducted according to the recommendations and procedures below. Joerns Healthcare recommends maintenance, inspection and certified testing is carried out by authorised service agent / dealers only.

CLEANING

All Oxford/Hoyer lifts will when necessary require cleaning. The Oxford/Hoyer lifts can be cleaned with warm water or a disinfectant cleaning fluid.

CAUTION: Harsh chemicals may dull or remove the paint/finish from the lift.

WARNING

DO NOT spray or submerge the lift in any liquid.

ELECTRICAL SPECIFICATIONS:

BATTERIES.....	24 volt Rechargeable sealed lead acid type
BATTERY CAPACITY.....	3.2 Ampere hours
CHARGER RATED INPUT.....	100 - 240 V AC// 24 VDC 50/60 Hz
CHARGER RATED OUTPUT.....	29.5 VDC, Max. 19 W

Electric Shock Protection

CHARGER.....	CLASS II
LIFT.....	INTERNAL POWER SOURCE

Degree of Shock Protection

CHARGER.....	TYPE B
LIFT.....	TYPE B

ENVIRONMENTAL CONDITIONS:

Outside this environment functionality and safety may be compromised.

Operating:

Temperature.....	5°C to 40°C
Relative humidity.....	20% to 90% @ 30°C - not condensing
Atmospheric pressure.....	700 to 1060 hPa

Storage:

Temperature.....	-10°C to +50°C
Relative humidity.....	20% to 90% @ 30°C - not condensing
Atmospheric pressure.....	700 to 1060 hPa

IP RATINGS

Control Box.....	IP43
Actuator.....	IP54
Off Board Charger.....	IP65
Battery.....	IP65
Handset.....	IP65

DUTY CYCLES

Actuator.....	10% (2 min./18 min.)
Charger.....	Approx. 4 hrs.

ACOUSTICS

A-Weighted sound power level.....	55.6 dB (A)
-----------------------------------	-------------

KEY SYMBOLS:

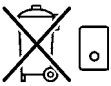
The following symbols are used on the charger, control unit and battery:



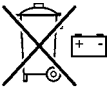
Type B equipment, as per EN 60601-1



Class 2 equipment



The disposal of the charging and control unit should not be mixed with general household waste



The disposal of batteries should not be mixed with general household waste.



For indoor use



ATTENTION, consult accompanying documents.

12. Warranty

Joerns Healthcare has an established network of reputable distributors and dealers who will be pleased to handle all your purchasing, warranty, repair and maintenance enquire.

Our products are guaranteed for a period of 24 months from the date of manufacture or 24 months from the date of purchase if commissioned by an authorised dealer. This guarantee covers the lift's major structure, actuator and control box, handset, and battery for manufacturing defects/failures.

We recommend that all of our products are commissioned by your dealer and are supported by them for future servicing. The dealer or distributor operates the warranty Programme; so it is important to keep a record of their name address and telephone number so they can be contacted should any problem arise.

Failure to comply to the lift's servicing schedule may result in your warranty being invalid.

If you are in doubt where your lift was purchased, Joerns Healthcare can trace the supplier if you quote the serial number of the lift.

REMEMBER Contact your distributor for purchases, warranty, repairs, servicing and certified maintenance.

Your distributor:





Joerns Healthcare Inc
5001 Joerns Drive
Stevens Point, WI 54481-5040
USA
715-341-3600
800-826-0270
Fax: 715-341-3962

Joerns Healthcare Ltd
High Street, Wollaston
Stourbridge, West Midlands
DY8 4PS
ENGLAND
+44 (0)1384 44 66 22